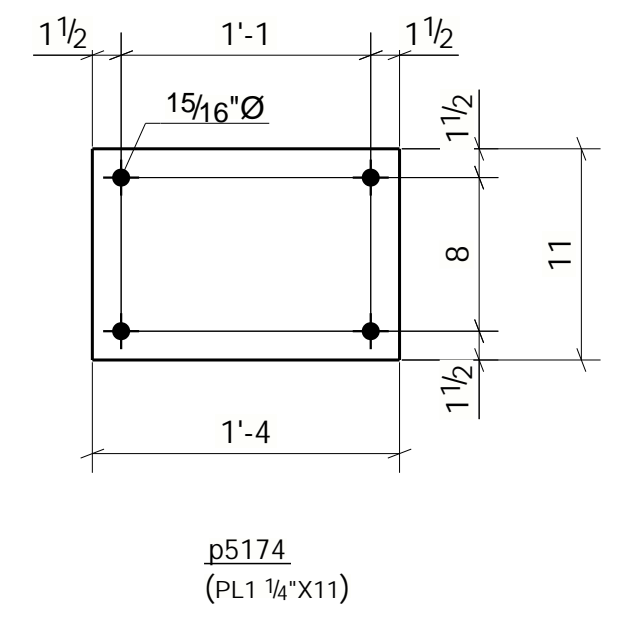
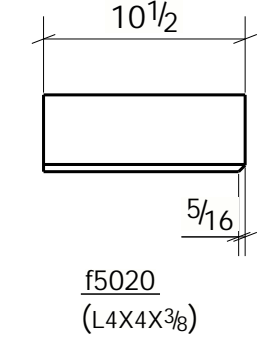
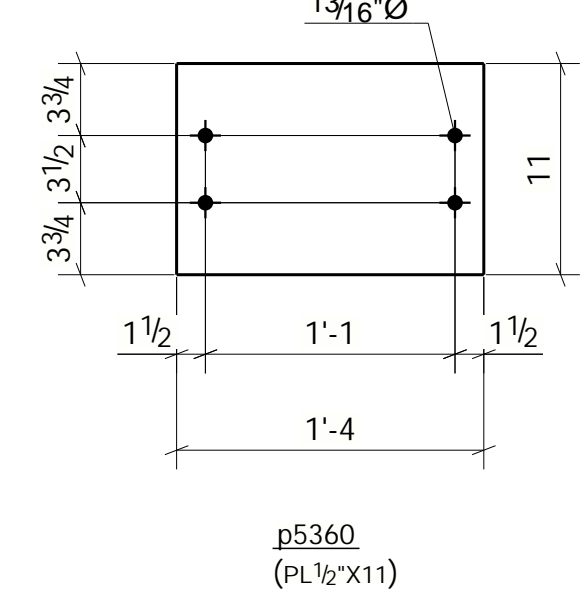
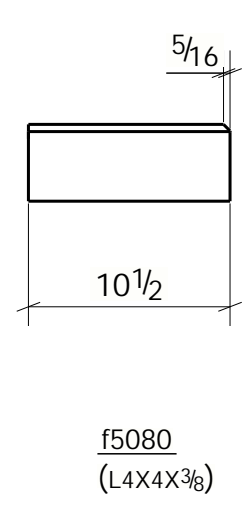
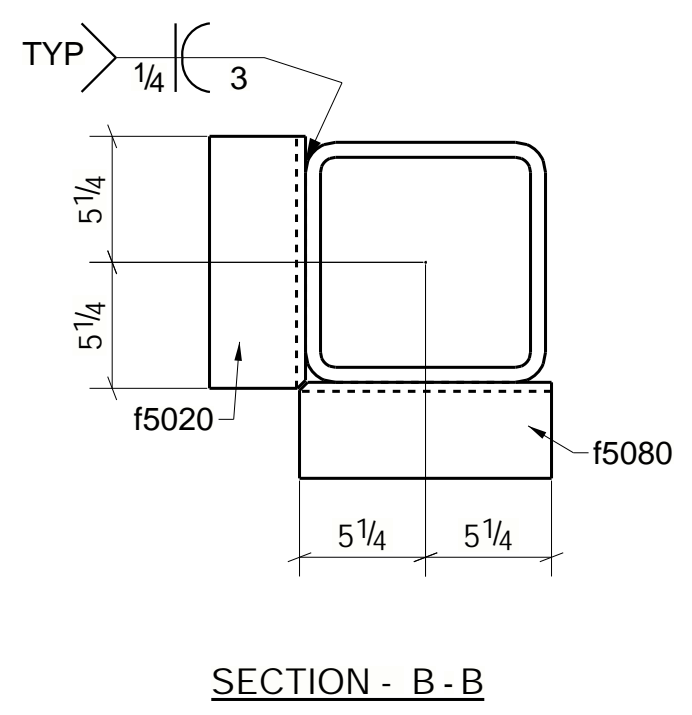
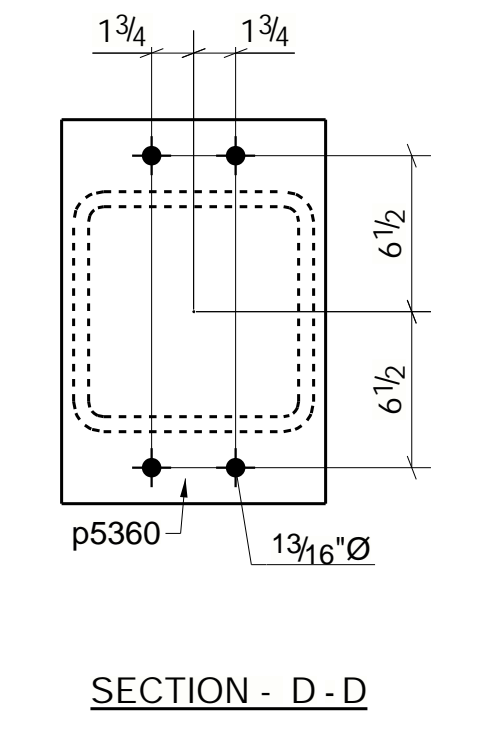
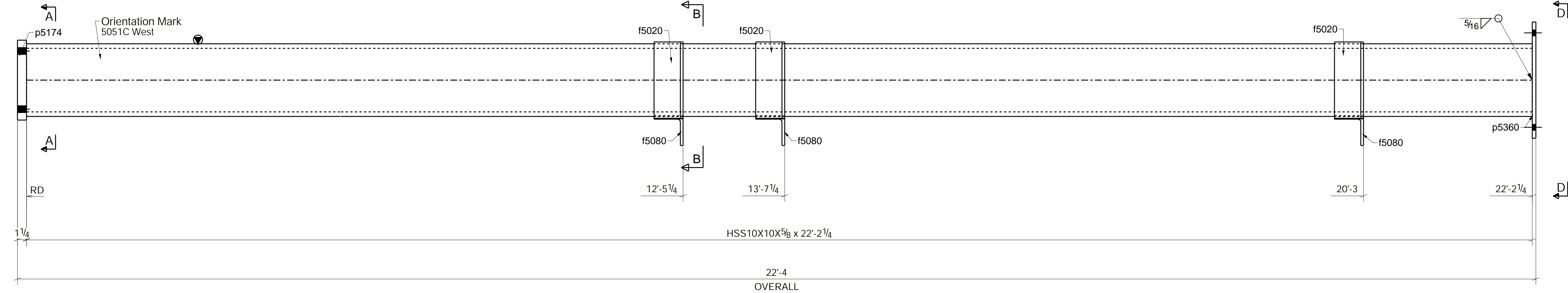
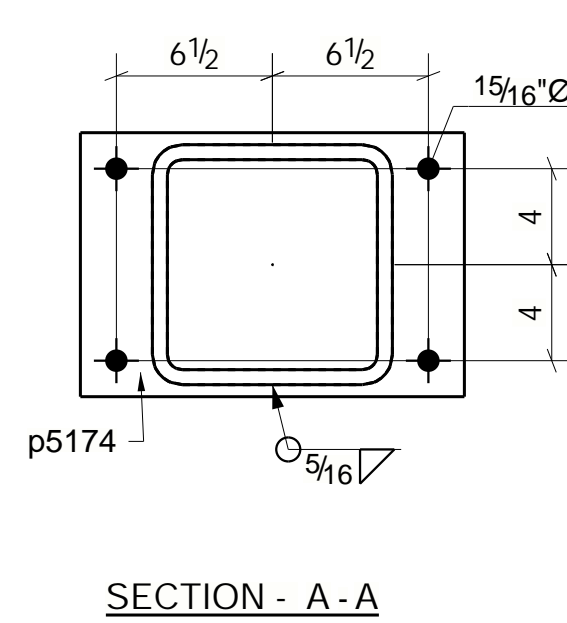
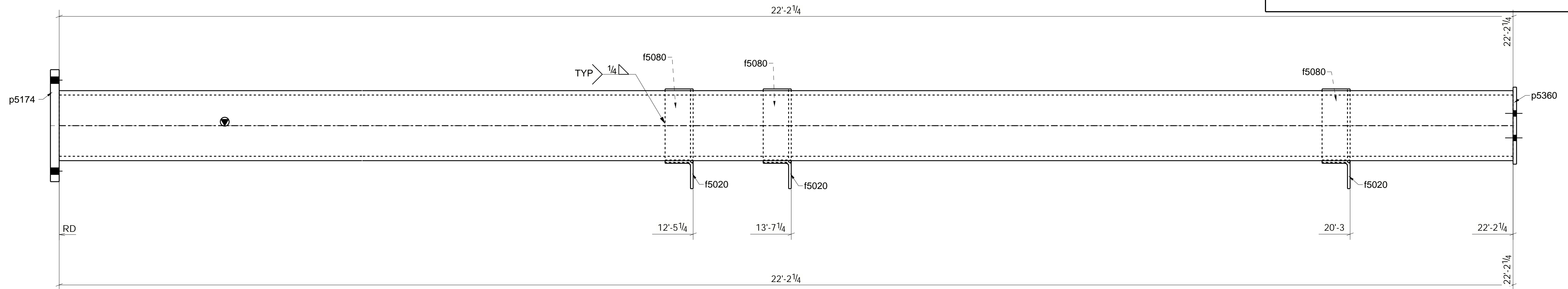


ASSEMBLIES LOCATION		
#	E SHEET	ELEVATION
1	E5003	2/D

SHIPPING MARK	PIECE MARK	QTY.	BILL OF MATERIAL			PAINTING AREA (sq.ft)	TOTAL WEIGHT (Lb)	NOTES
			DESCRIPTION	GRADE	LENGTH			
5051C		1	COLUMN		22'-4"			
	50001	1	HSS10X10X5/8	A500-GR.B	22'-2 1/4"	70.33	1585.68	
	f5020	3	L4X4X3/8	A36	0'-10 1/2"	3.60	25.55	
	f5080	3	L4X4X3/8	A36	0'-10 1/2"	3.60	25.55	
	p5174	1	PL1 1/4"X11"	A36	1'-4"	2.91	62.39	
	p5360	1	PL1/2"X11"	A36	1'-4"	2.63	24.96	
						83.08	1724.12	



- SYMBOLOLOGY**
- N/S - NEAR SIDE MARK
  - F/S - FAR SIDE MARK
  - B/S - NEAR SIDE BOLT MARK
  - E.I. - EXCEPT INDICATED
  - - NEAR SIDE HOLE
  - ⊖ - FAR SIDE HOLE
  - EL - LEVEL
  - W.P. - WORK POINT
  - CL - CENTER LINE
  - ⊗ - CONNECTING SIDE
  - RD - RUN DIMENSION

**ONE - COLUMN - 5051C**

REV.	DATE	DESCRIPTION
A		FOR INFORMATION
-		FOR APPROVAL



CUSTOMER LOGOTYPE

**NOTES:**

**REFERENCE DRAWINGS:**

THIS CONFIDENTIAL DOCUMENT IS THE PROPERTY OF XXXXX AND SHALL NOT GIVEN, COMMUNICATED, COPIED OR REPRODUCED EXCEPT WITH OUR WRITTEN PERMISSION.

PROJECT: COLUMNS FROM FOOTINGS

AREA: COLUMNS FROM FOOTINGS

LOCATION:

CLIENT:

DESCRIPTION: COLUMN

DRAWN BY:

ISSUE DATE:

ESCALA: NO

DRAWING No./DWG No.:

REVISOR:

DATE:

PRIORITY: 0

REV. A

5051C